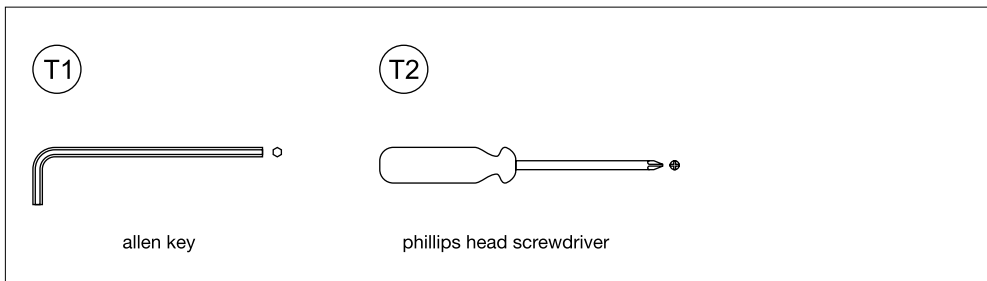
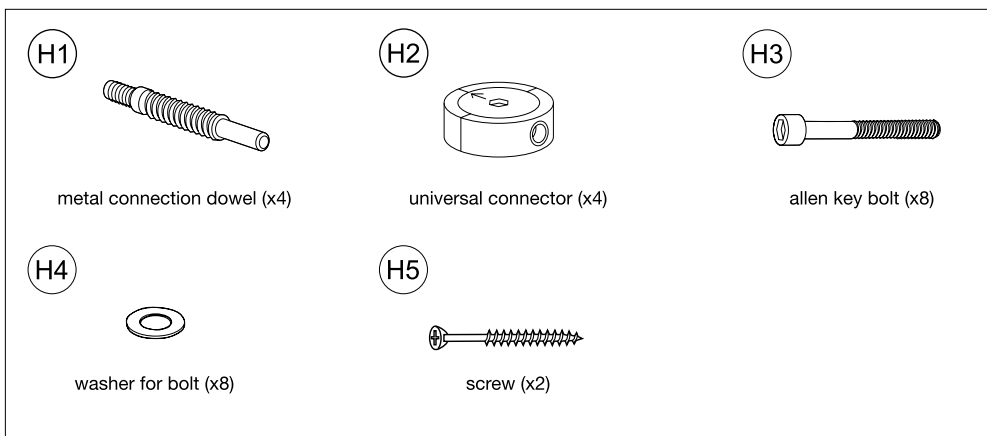


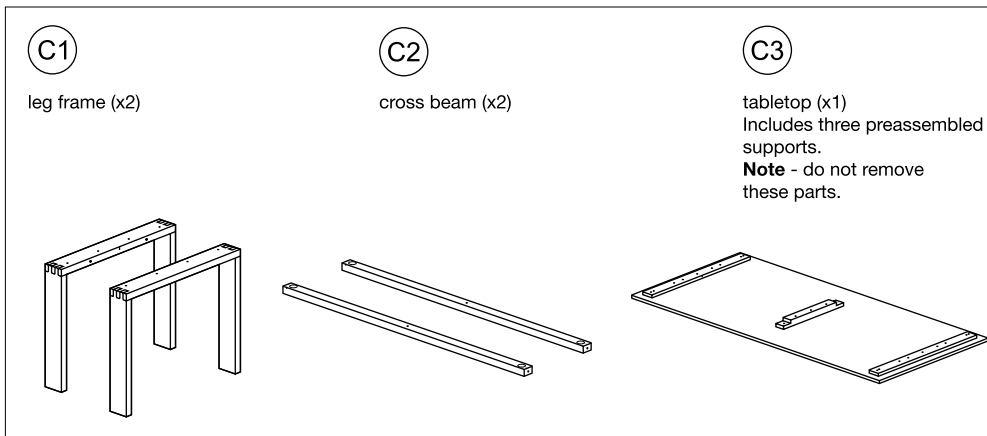
Tools necessary



Hardware

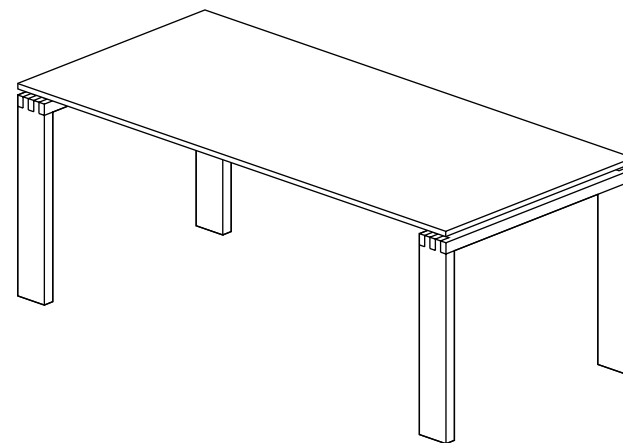


Parts list



atlantico

Product 003 Table (Large)



Assembly notes

Note 1

Be certain that all assembly is carried out on a flat and stable surface.

Note 2

Reverse steps to disassemble.

Note 3

Great care is required when assembling Atlantico products, they can mark very easily if banged or dropped.

Note 4

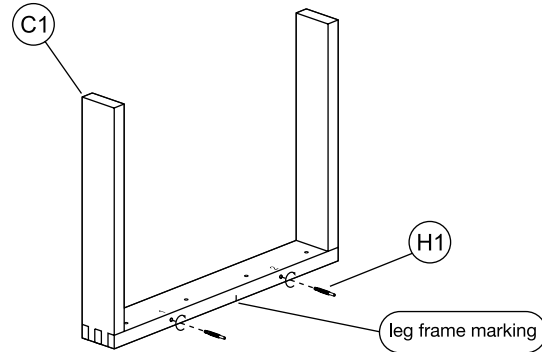
We advise that assembly and disassembly is undertaken by a minimum of 2 people.

Steps

①

Position leg frame marked "I" with the legs facing upwards.

Apply metal connection dowels (H1) to the holes on the side of the leg frame by screwing them until tight in a clockwise fashion, as shown.

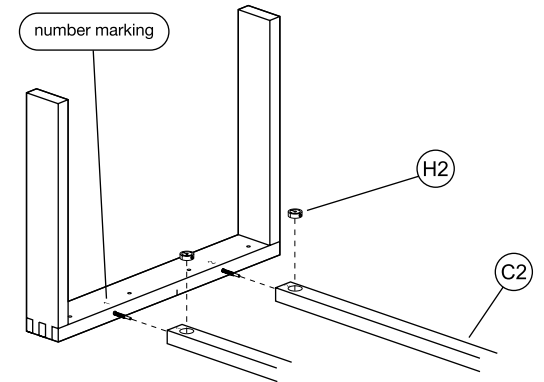


②

Take the first of the cross beams and match the number on the cross beam with the number marking on the leg frame. The recessed holes on the cross beam should face upwards. Place the universal connectors (H2) inside these holes.

Assemble the cross beam with the leg frame. To do this you will need to locate the universal connector with the metal connection dowel by tightening the universal connector with an Allen key. Follow the same steps for the second cross beam.

Position leg frame marked "II" with the legs facing upwards and follow the above steps for connecting the two cross beams to this leg frame.



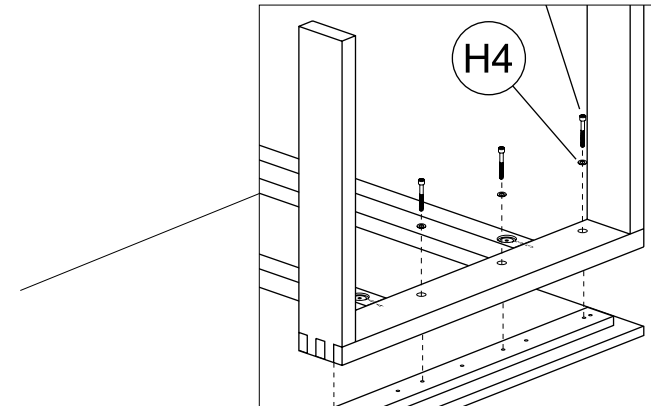
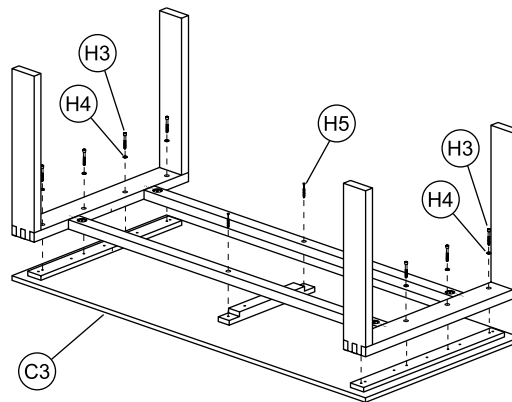
③

Place tabletop upside down on the floor on a clean and smooth surface (blanket or carpet), with the preassembled supports facing upwards.

Maintaining the leg frame and cross beam structure upside down, place it over the table top.

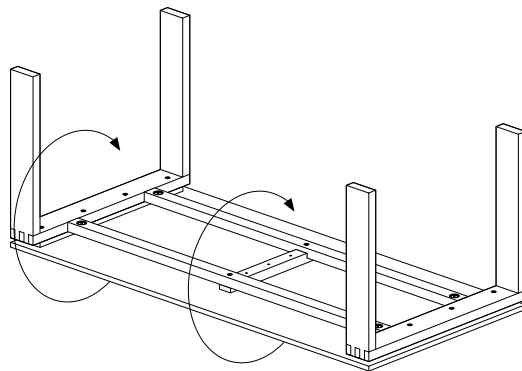
Align the holes on the leg frame/cross beam structure with the existing holes on the preassembled supports and fix the allen key bolts (H3) and the washers (H4).

Fix the cross beams to the central support beam using screws (H5).



④

With the help of a buddy, carefully turn table to its upright position.



⑤

Assembly is now complete and the table is ready to use.

