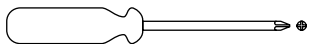


## Tools necessary

T1



Phillips head screwdriver

## Hardware

H1

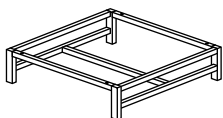


screw (x4)

## Parts list

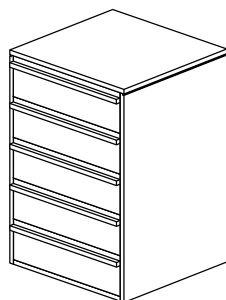
C1

leg frame (x1)



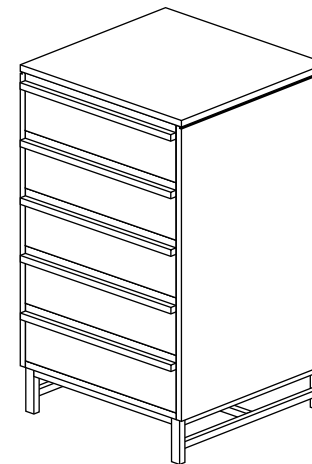
C2

cabinet (x1)  
drawers (x5)



# atlantico

## Product 007 Chest



## Assembly notes

### Note 1

Be certain that all assembly is carried out on a flat and stable surface.

### Note 2

Reverse steps to disassemble.

### Note 3

Great care is required when assembling Atlantico products, they can mark very easily if banged or dropped.

### Note 4

We advise that assembly and disassembly is undertaken by a minimum of 2 people.

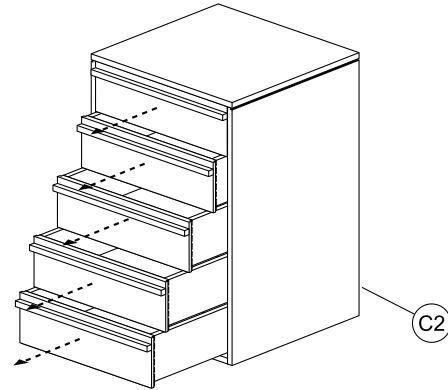
# Steps

①

Begin by removing drawers from cabinet. Depress both plastic clips on the front underside of each drawer. This will release the drawer from the rails.

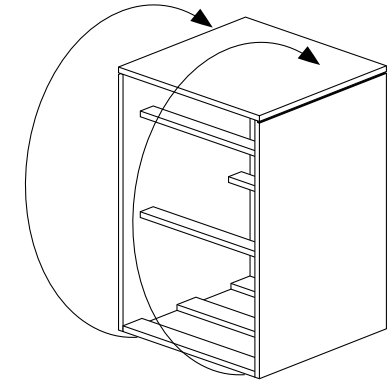
Slide the drawer in forward motion until it is completely free from the carcass.

The drawers are marked 1 to 5 on the underside, from the top to the bottom. To ensure they are replaced in the correct order, make a note of the order you remove the drawers.



②

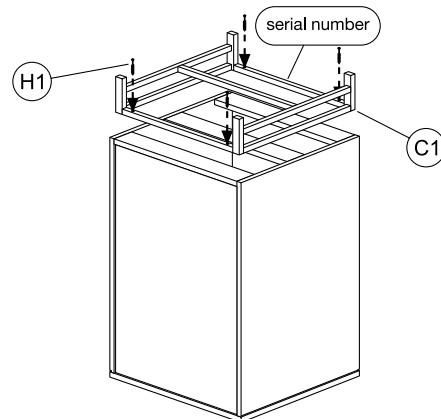
With the help of a buddy, carefully turn cabinet upside down on the floor on a clean and smooth surface (blanket or carpet).



③

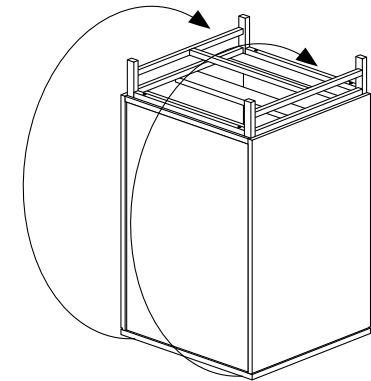
The front side of the leg frame can be recognised by the embossed serial number marked on the underside of the frame. This should be orientated with the front side of the cabinet.

Fix screws **H1** with phillips head screwdriver.



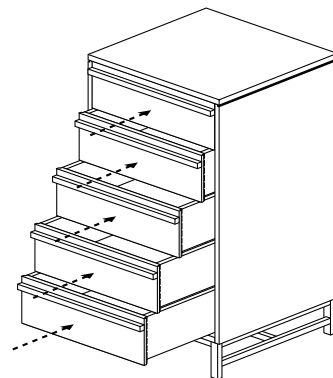
④

With the help of a buddy, carefully return cabinet to its upright position.



⑤

Replace the drawers in their correct order.



⑥

Assembly is now complete and the chest of drawers is ready to use.

