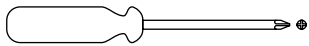


## Tools necessary

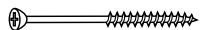
T1



Phillips head screwdriver

## Hardware

H1

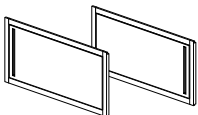


screw (x8)

## Parts list

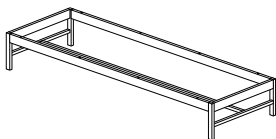
C1

doors (x2)



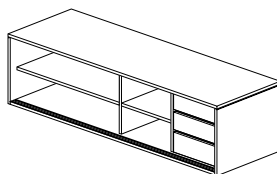
C2

leg frame (x1)



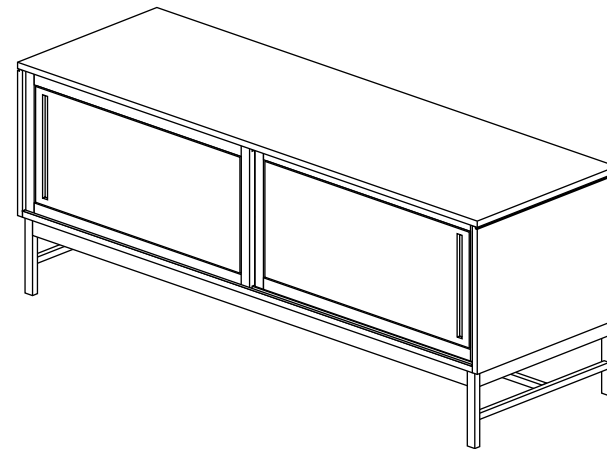
C3

cabinet (x1)  
preassembled: shelf (x2)  
and drawer (x3)



# atlantico

## Product 006 Sideboard



## Assembly notes

### Note 1

Be certain that all assembly is carried out on a flat and stable surface.

### Note 2

Reverse steps to disassemble.

### Note 3

Great care is required when assembling Atlantico products, they can mark very easily if banged or dropped.

### Note 4

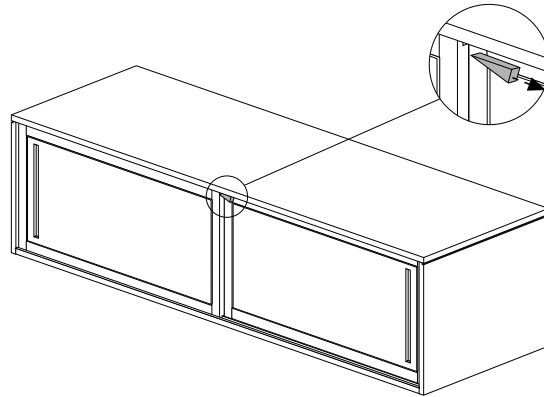
We advise that assembly and disassembly is undertaken by a minimum of 2 people.

# Steps

①

Starting with the left door, carefully remove the timber wedge from the groove on the top panel.

The left door should now be able to move freely from side to side.

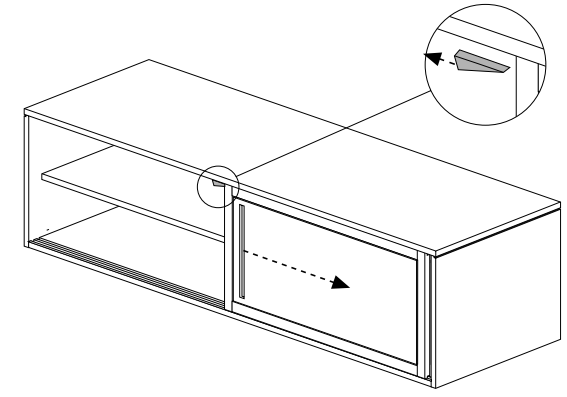


②

Move the left door to the far right so it aligns with the right door.

Carefully remove the timber wedge which secures the right door from the groove on the top panel.

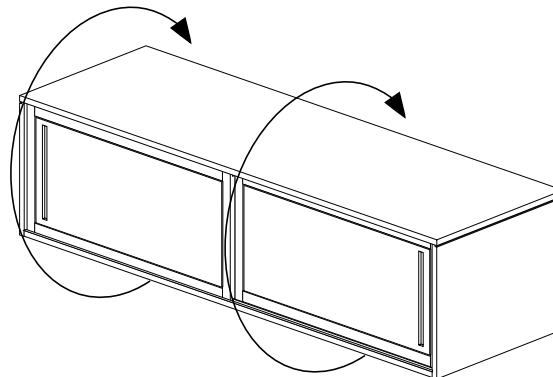
Both doors should now be able to move freely from side to side.



③

Close both sliding doors.

With the help of a buddy, carefully turn cabinet upside down on the floor on a clean and smooth surface (blanket or carpet).

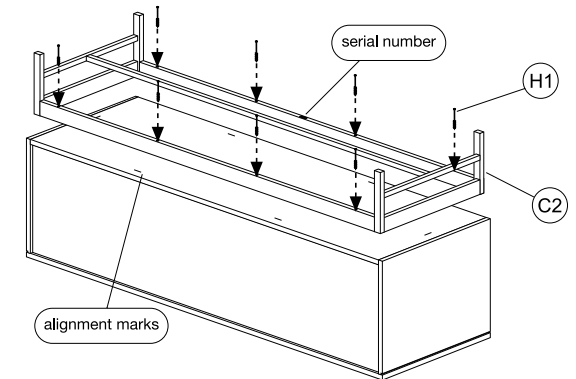


④

The front side of the leg frame can be recognised by the embossed serial number marked on the under side of the frame. This should be orientated with the front side of the cabinet.

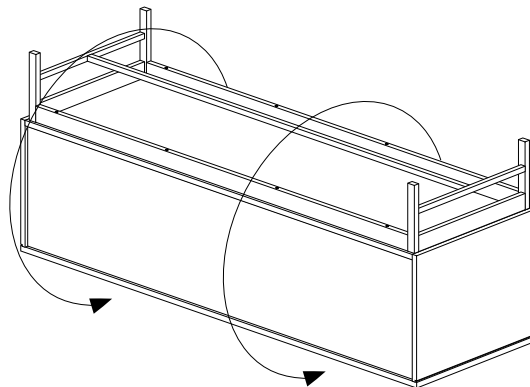
To fix the leg frame in place, align the holes with those on the bottom of cabinet. Please note that you will find alignment marks on the underside of the cabinet to aid the correct positioning of the leg frame.

Fix screws (H1) with phillips head screwdriver.



⑤

With the help of a buddy, carefully return cabinet to its upright position.



⑥

Assembly is now complete and the sideboard is ready to use.

