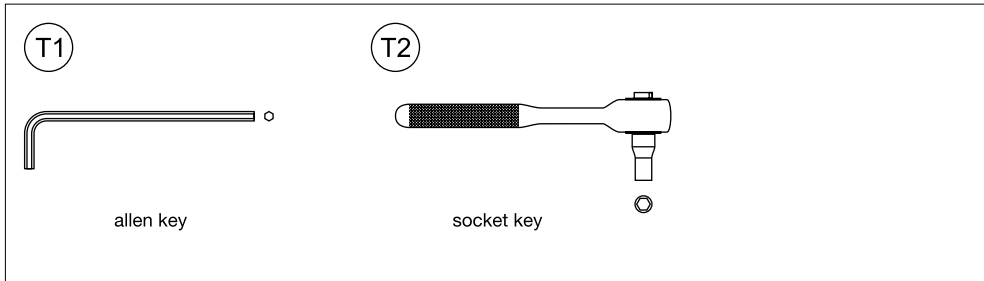
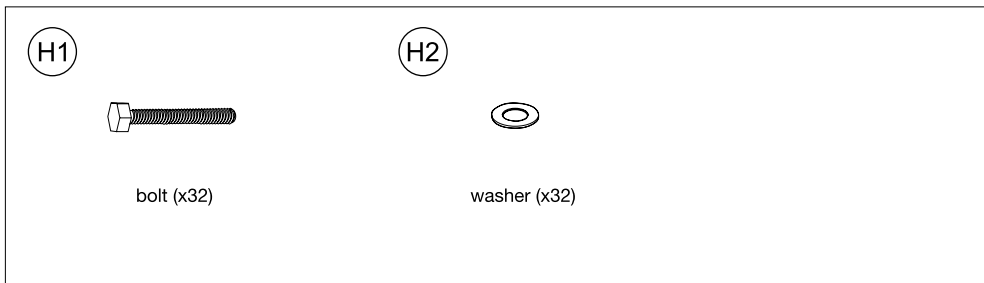


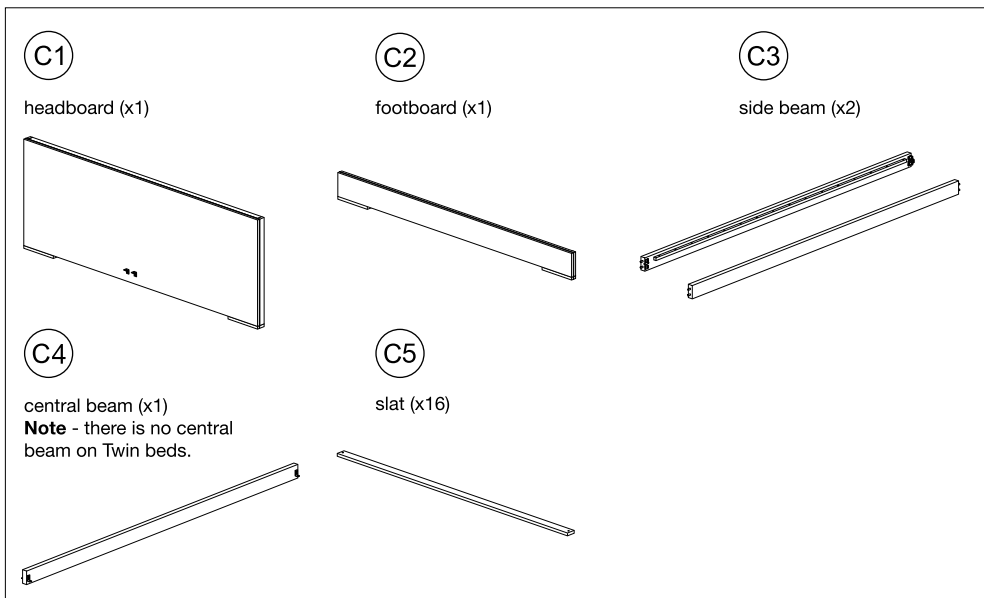
## Tools necessary



## Hardware

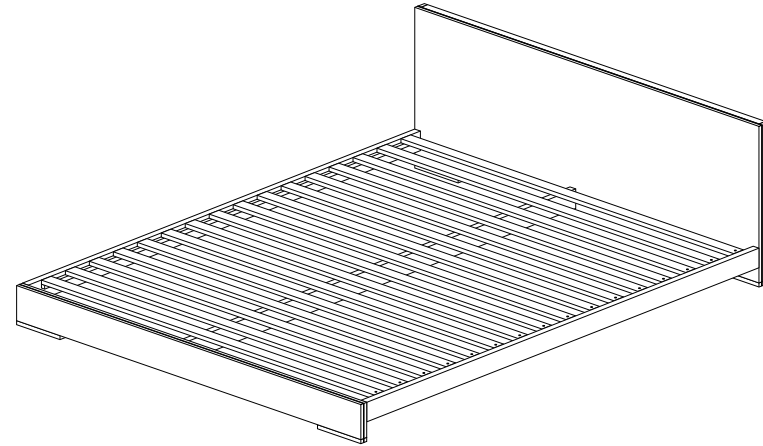


## Parts list



# atlantico

## Product 011 Bed



## Assembly notes

### Note 1

Be certain that all assembly is carried out on a flat and stable surface.

### Note 2

Reverse steps to disassemble.

### Note 3

Great care is required when assembling Atlantico products, they can mark very easily if banged or dropped.

### Note 4

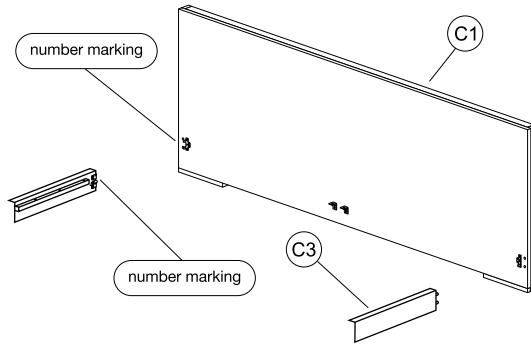
We advise that assembly and disassembly is undertaken by a minimum of 2 people.

# Steps

①

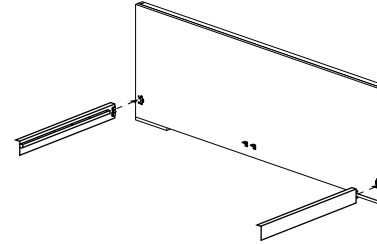
Begin by assembling the outer bed frame. Place the headboard upright so it is perpendicular to the floor. It may help to do this near a wall to help support the headboard during assembly.

You will need to insert the side beams in the headboard. Note, you will find a number on the end of the side beam that corresponds with a number at its meeting point on headboard.



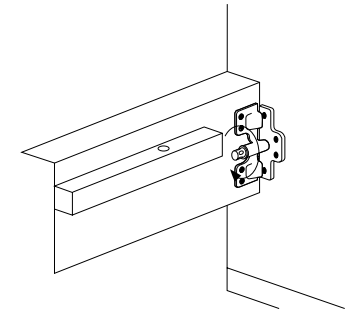
②

To connect the side beams you will need to align dowels at the end of the side beams with corresponding holes on the headboard. Attach both of the side beams to the headboard first, make sure that numbers match. Make sure all connections are flush with no gaps.



③

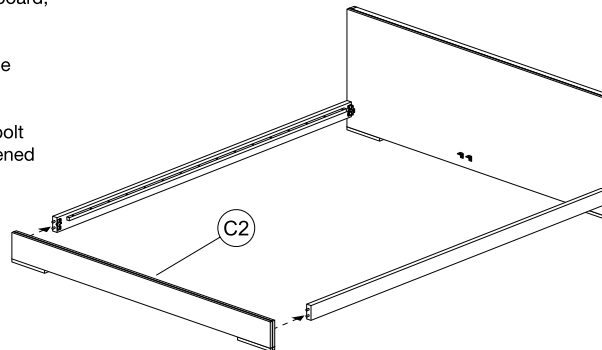
Once aligned and pushed into place the bolt on the metal slot bracket will need to be tightened using a 3mm allen key. Make sure both beams are fastened securely.



④

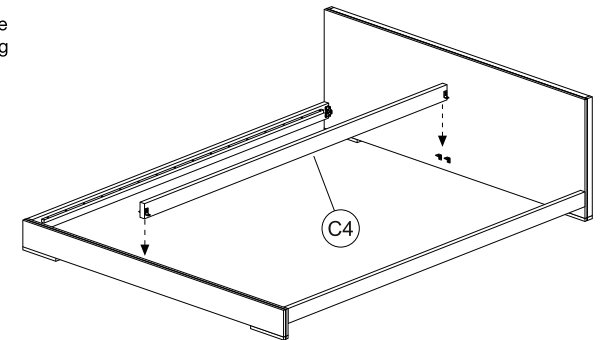
After connecting the side beams to the headboard, they will also need to be connected to the footboard. Align the metal slot bracket and dowels on the footboard.

Once the dowels are pushed into place, the bolt in the metal slot bracket will need to be tightened using a 3 mm allen key. Make sure both beams are connected.



⑤

For larger beds, there is also a central support beam which should be fixed to the headboard and the footboard by tightening the bolts provided using a 3 mm allen key.

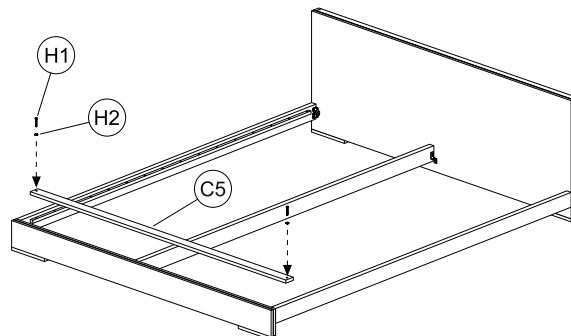


⑥

When the bed frame assembly is fully complete, space out the bed slats so they are aligned with the corresponding holes on the timber lip on the inside of the bed side beams. The bed slats should be positioned with the recessed hole facing upwards.

Fix a screw (H1) through the washer (H2) pre-drilled hole in each slat, and into the side beam by using a cordless drill or a socket set.

Tighten the slats well so they are not unstable, but be very careful not to over tighten the screws.



⑦

Assembly is now complete and the bed is ready to use.

