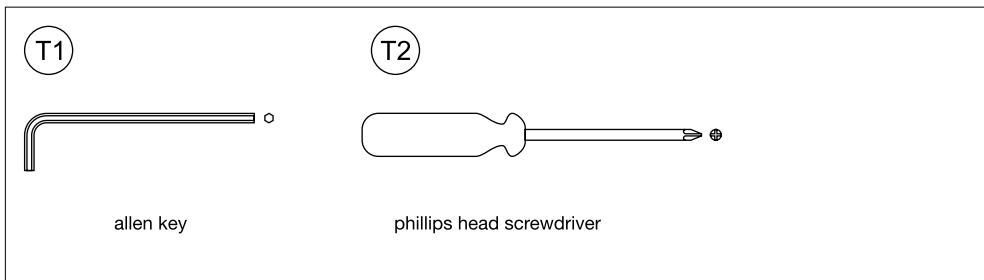
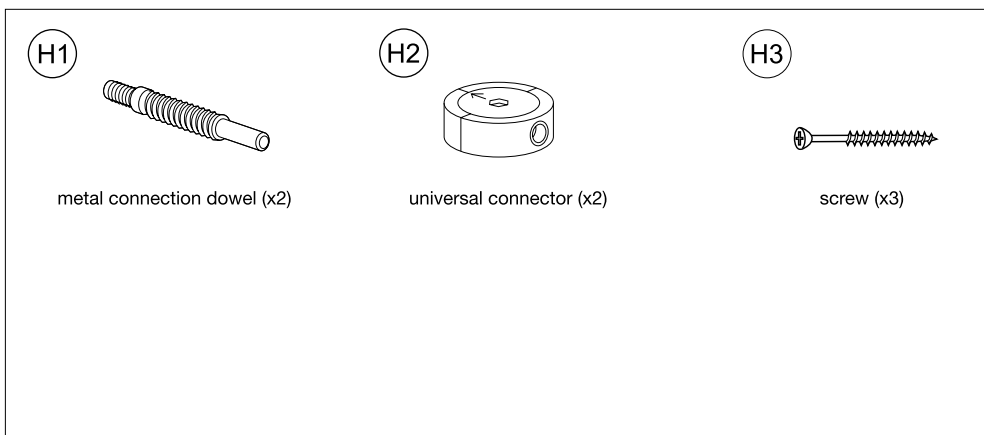


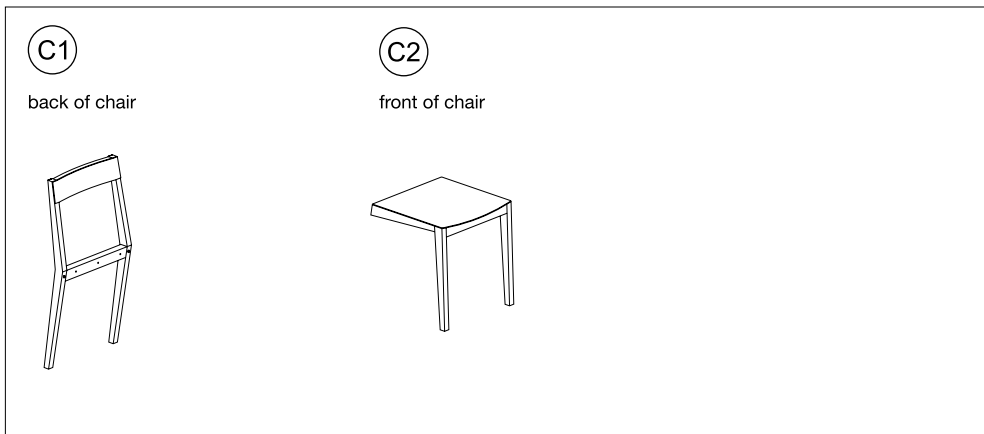
## Tools necessary



## Hardware

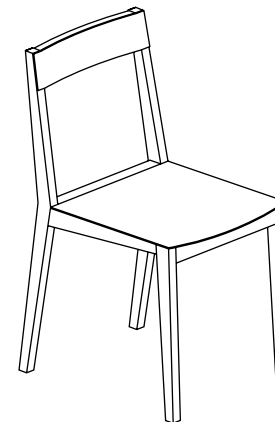


## Parts list



# atlantico

## Product 017 Chair



## Assembly notes

### Note 1

Be certain that all assembly is carried out on a flat and stable surface.

### Note 2

Reverse steps to disassemble.

### Note 3

Great care is required when assembling Atlantico products, they can mark very easily if banged or dropped.

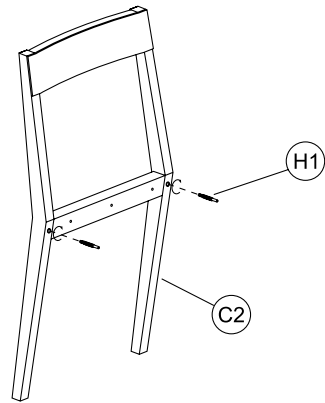
### Note 4

We advise that assembly and disassembly is undertaken by a minimum of 2 people.

# Steps

①

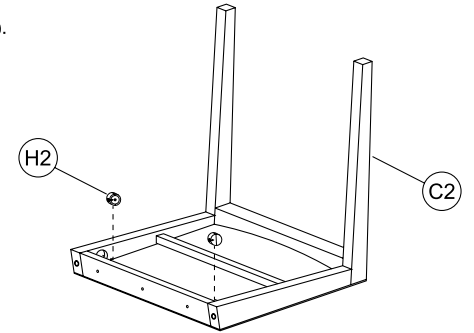
Apply a metal connection dowel (H1) to each of the two holes located on the front of the back piece and screw them in a clockwise fashion, until tight.



②

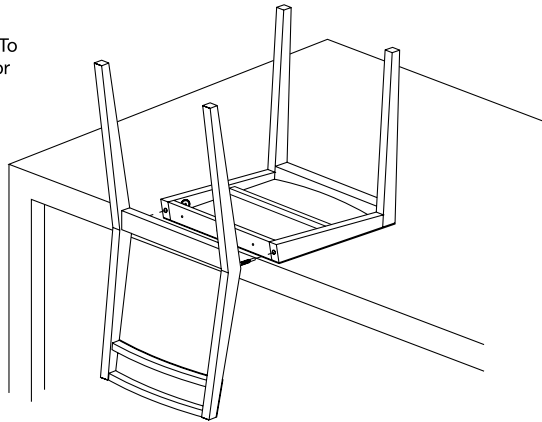
Place the front piece of chair upside down on a clean and soft surface (ex. a table top covered with a blanket).

Place the universal connectors (H2) inside the recess holes, as shown.



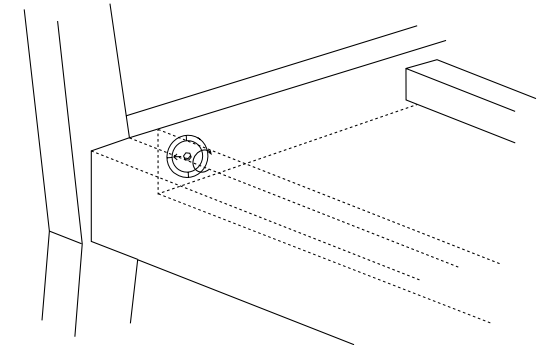
③

Match the back piece of the chair to the front piece. To do this you will need to locate the universal connector with the metal connection dowel.



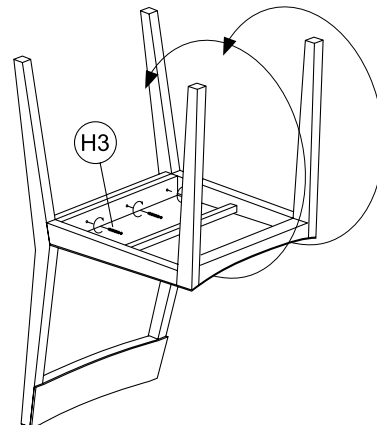
④

Tighten the two universal connectors with an Allen key.



⑤

Place the three screws (H3) as shown and tighten. Carefully turn chair to its upright position.



⑥

Assembly is now complete and the chair is ready to use.

